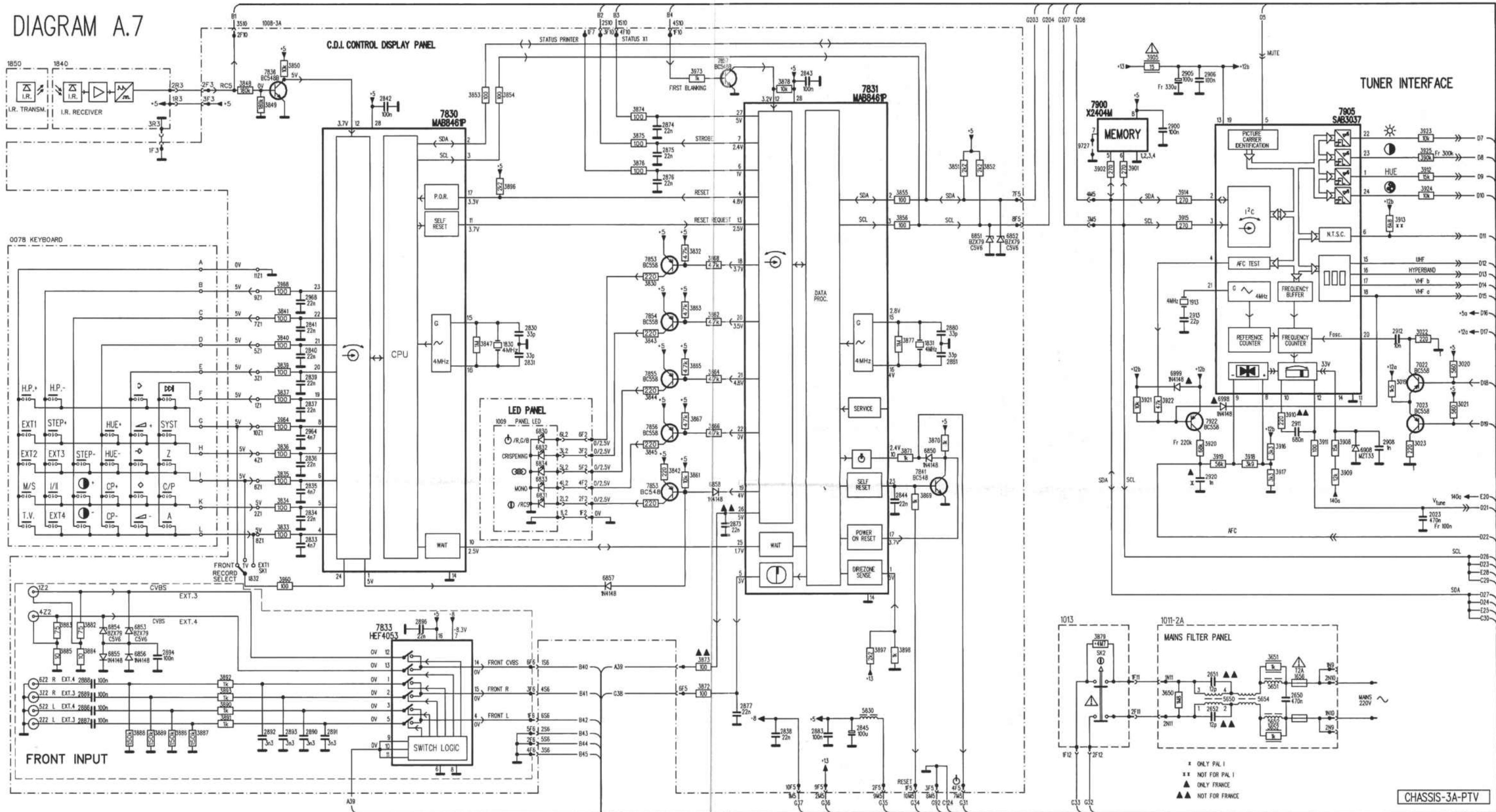
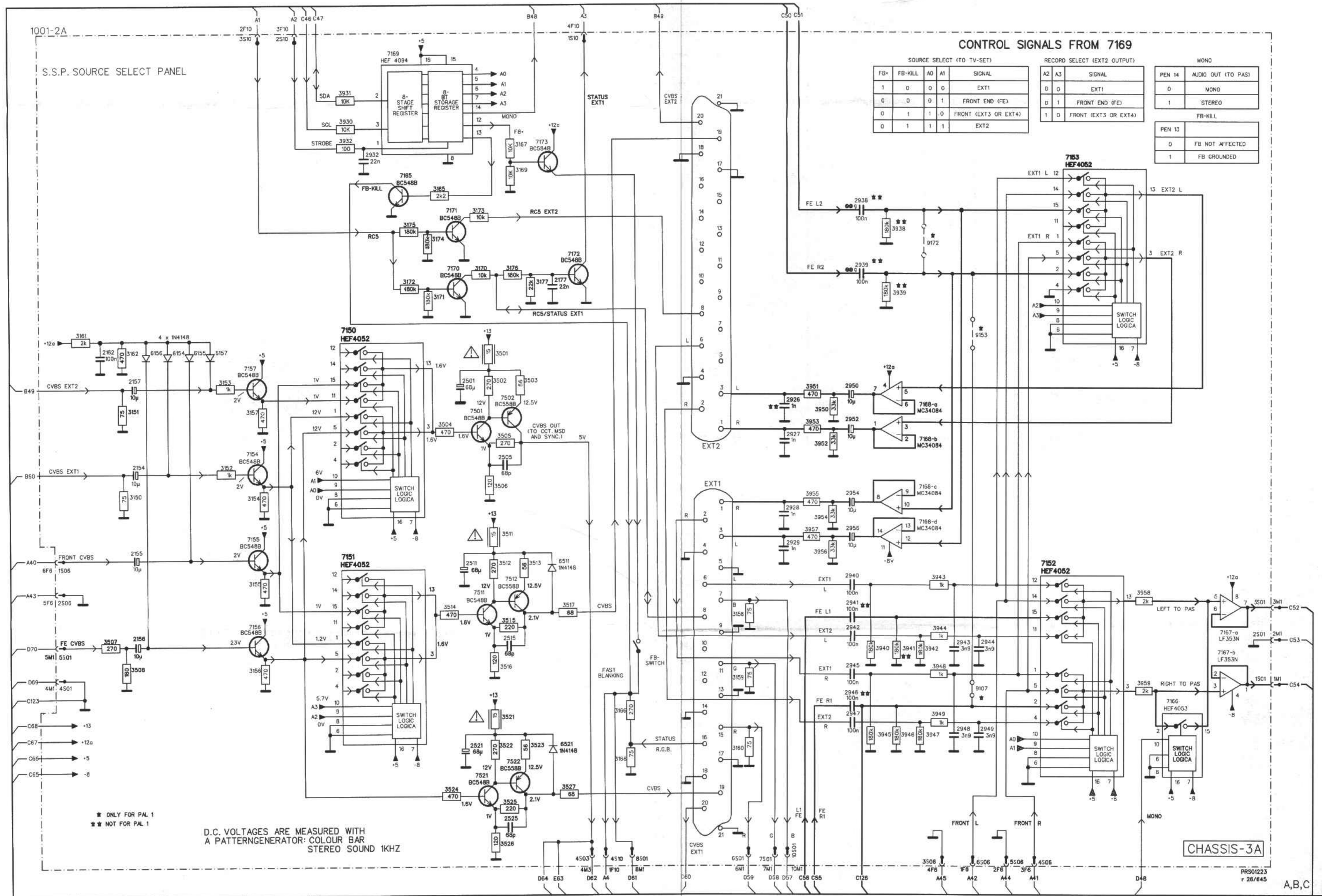


DIAGRAM A.7



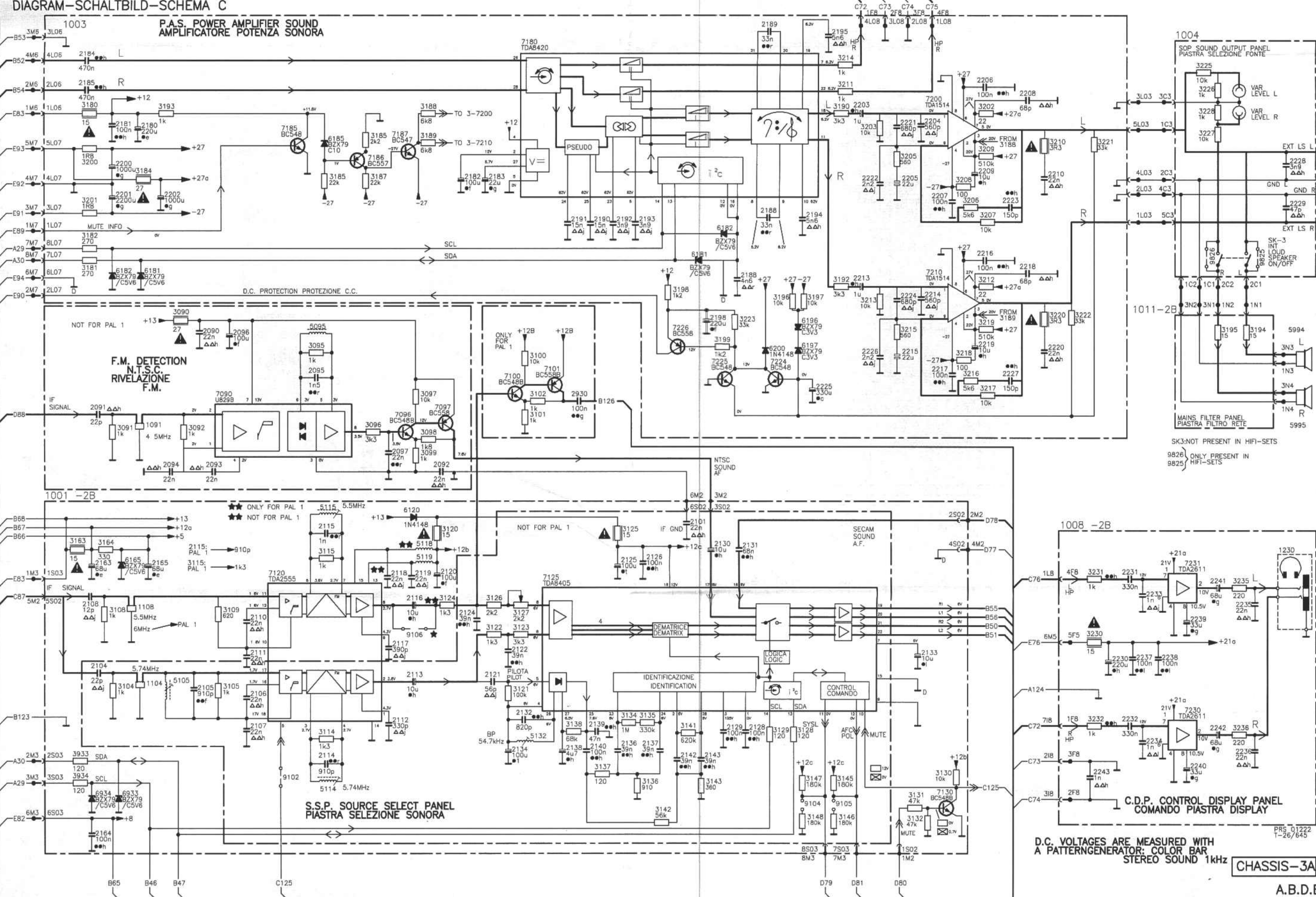
- * ONLY PAL I
- ** NOT FOR PAL I
- ▲ ONLY FRANCE
- ▲▲ NOT FOR FRANCE

CHASSIS-3A-PTV



OTVC Philips chassis 3A

P.A.S. POWER AMPLIFIER SOUND
AMPLIFICATORE POTENZA SONORA



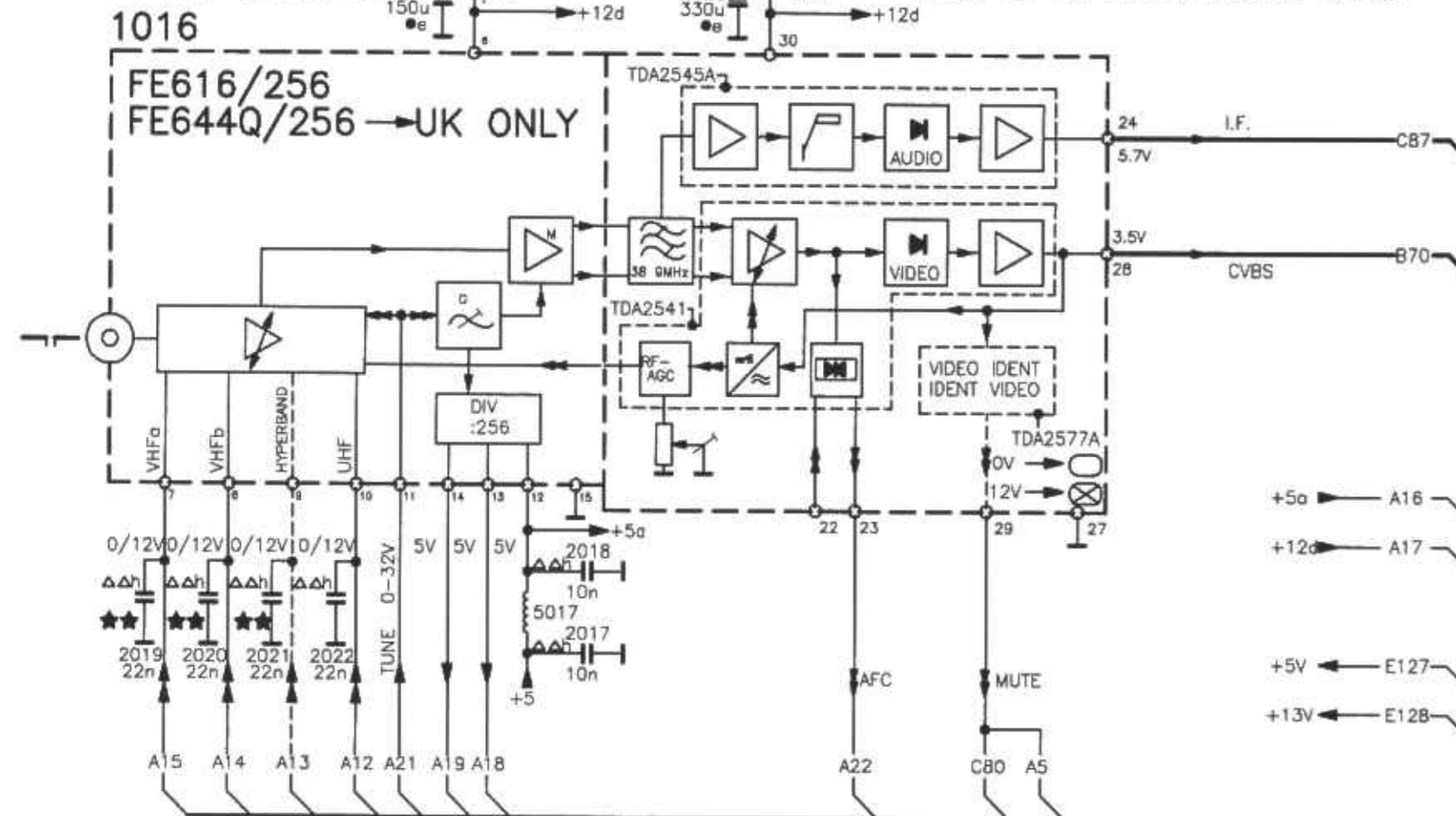
D.C. VOLTAGES ARE MEASURED WITH
A PATTERNGENERATOR: COLOR BAR
STEREO SOUND 1kHz

CHASSIS-3A

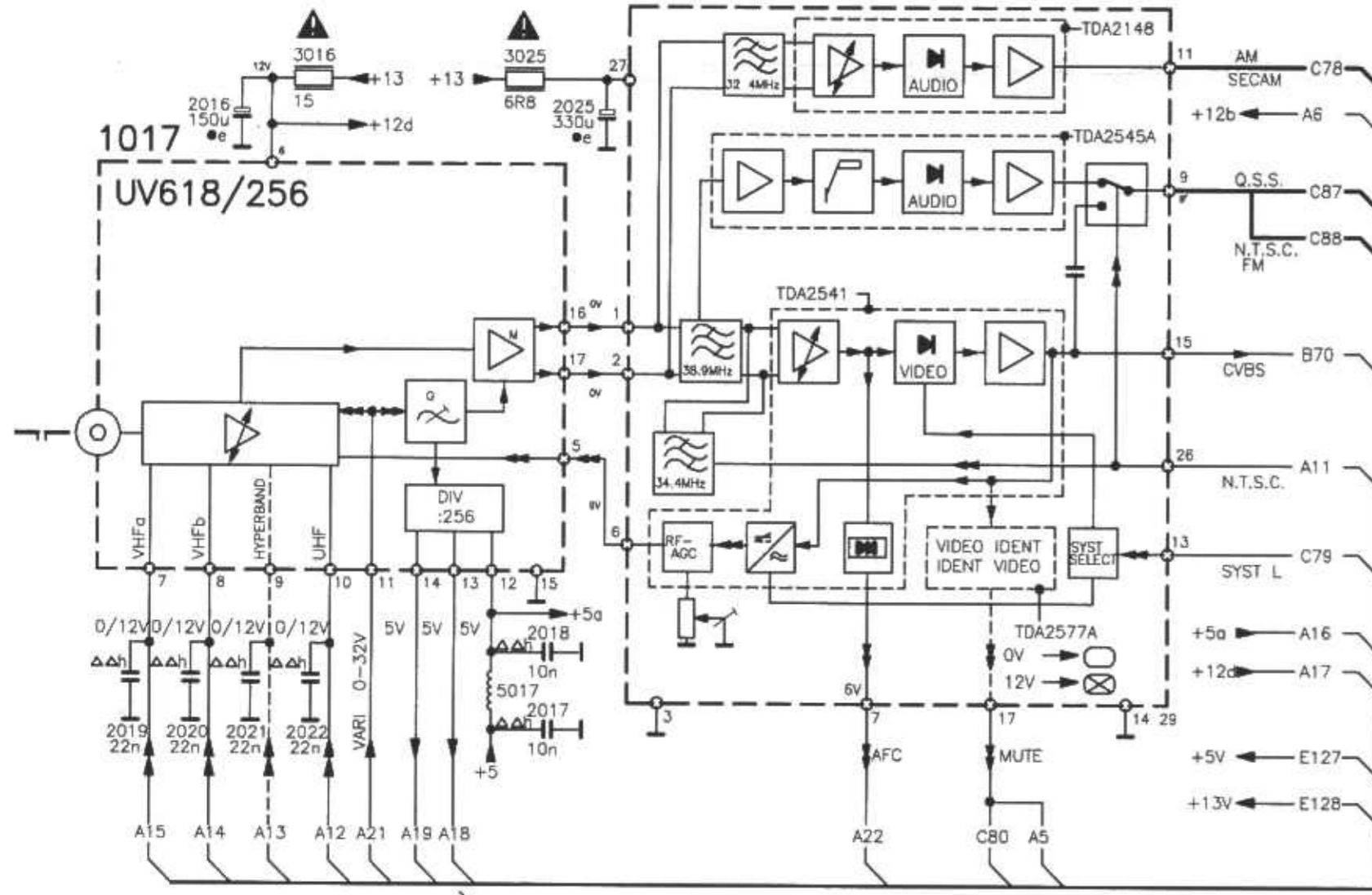
A.B.D.E

DIAGRAM-SCHALTBILD-SCHEMA D

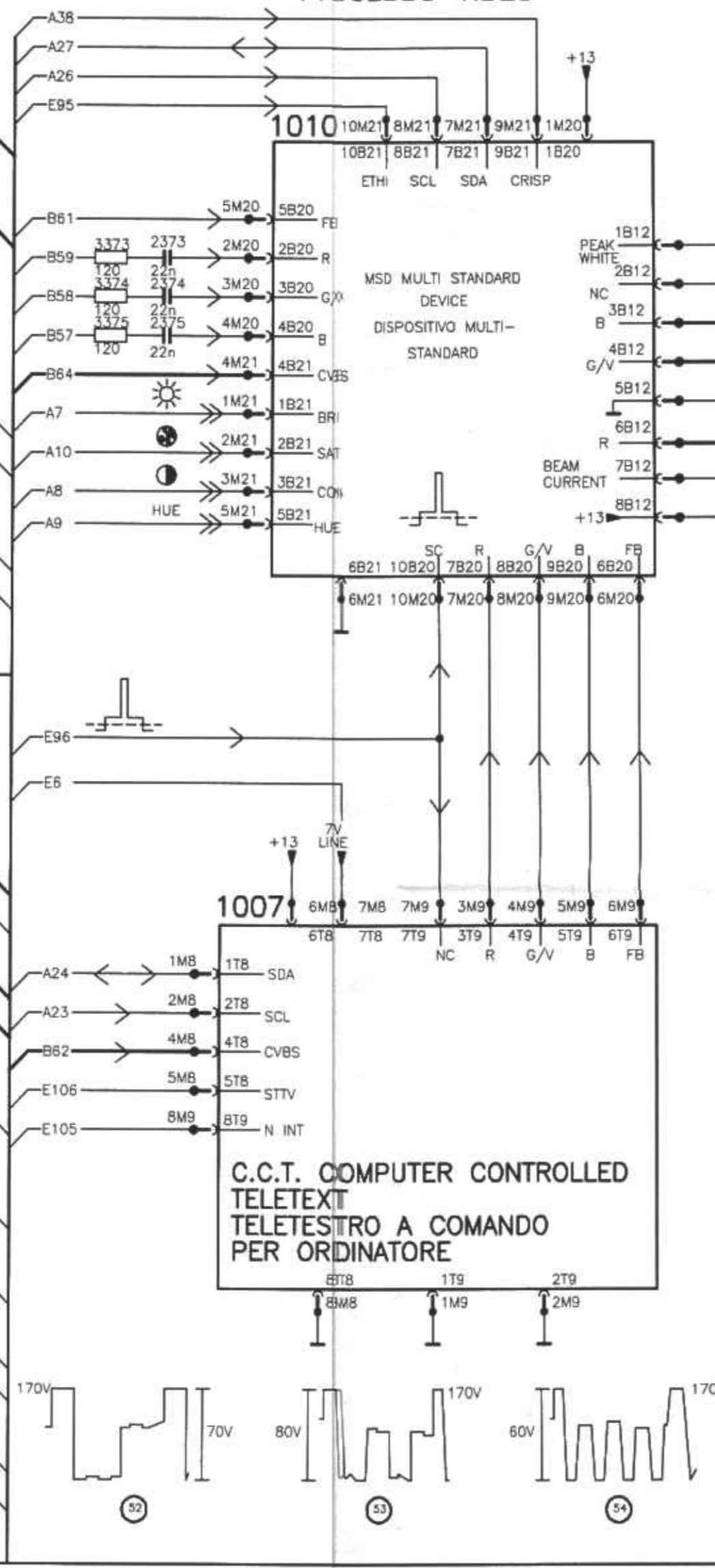
CHANNEL SELECTOR
KANAL WAELER
SELETTORE CANALE



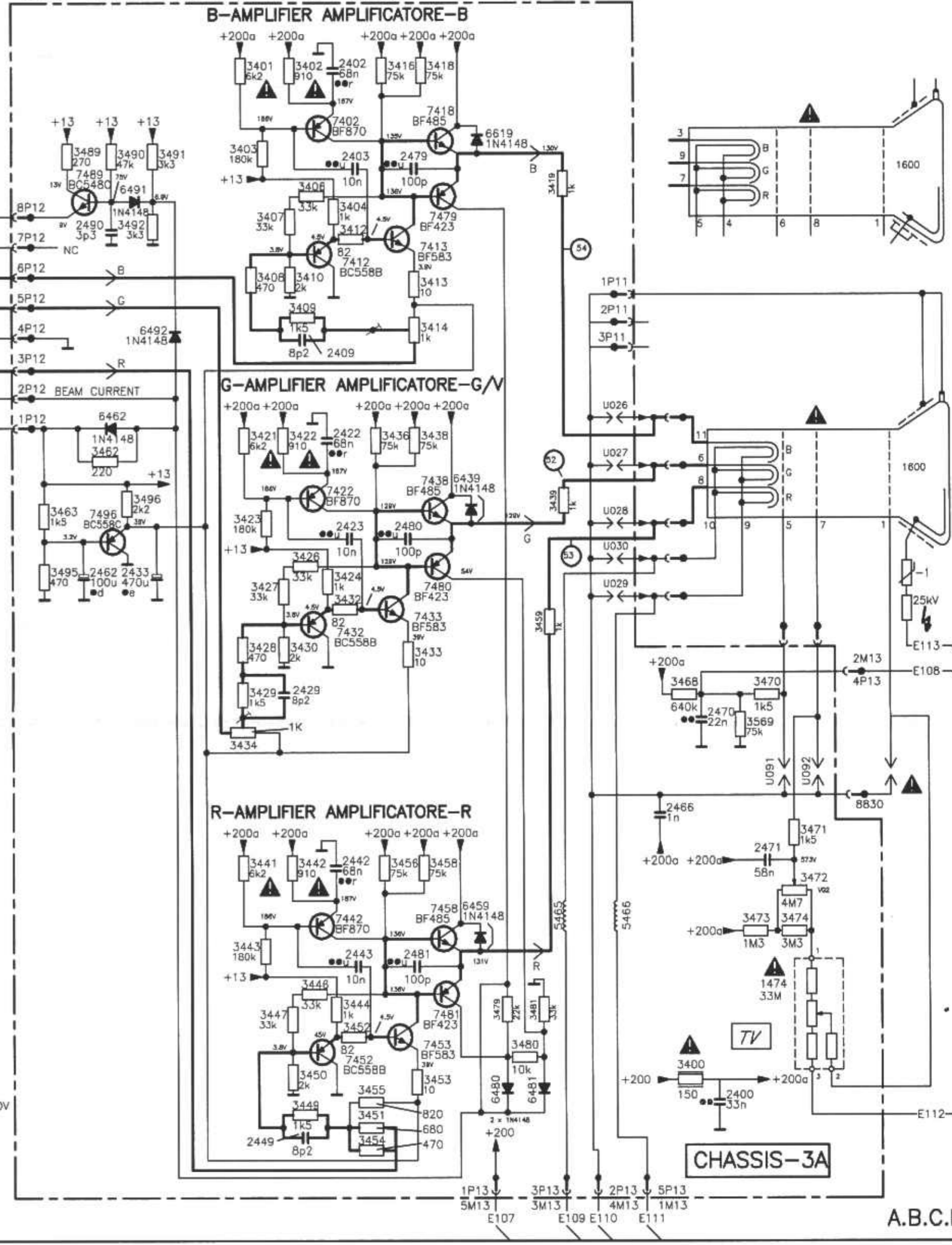
CHANNEL SELECTOR
KANAL WAELER
SELETTORE CANALE



VIDEO PROCESSING
PROCESSO VIDEO

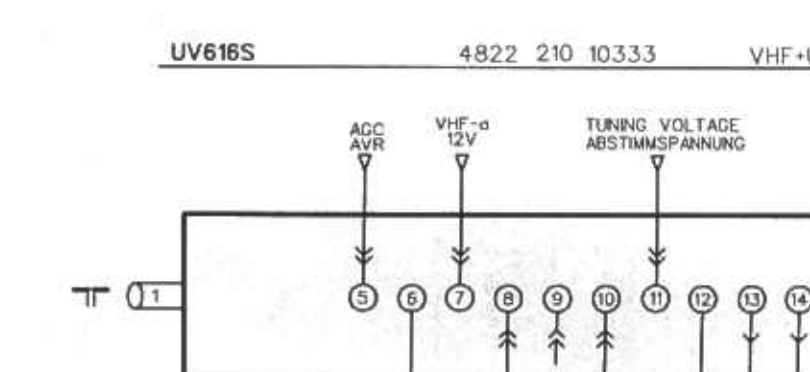
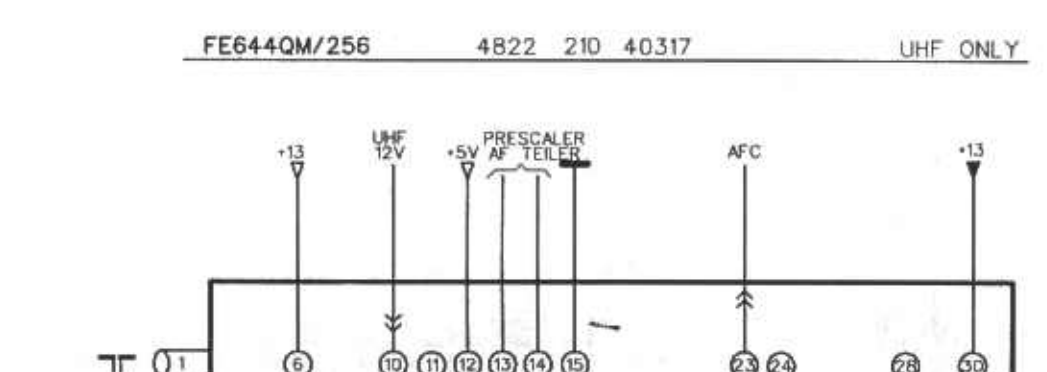
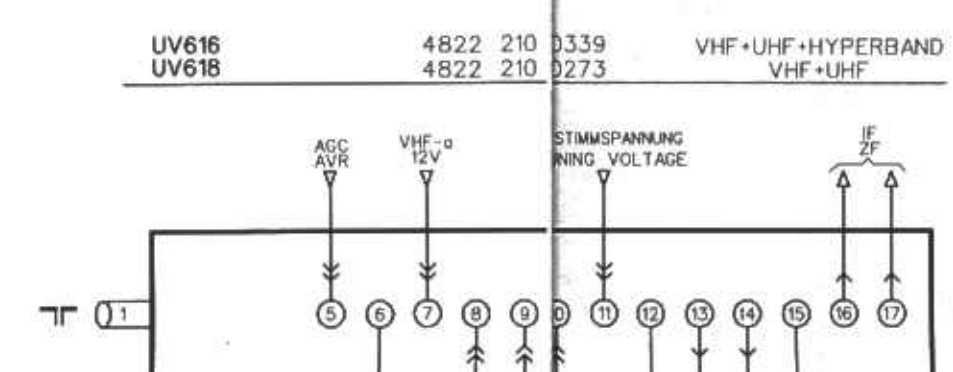
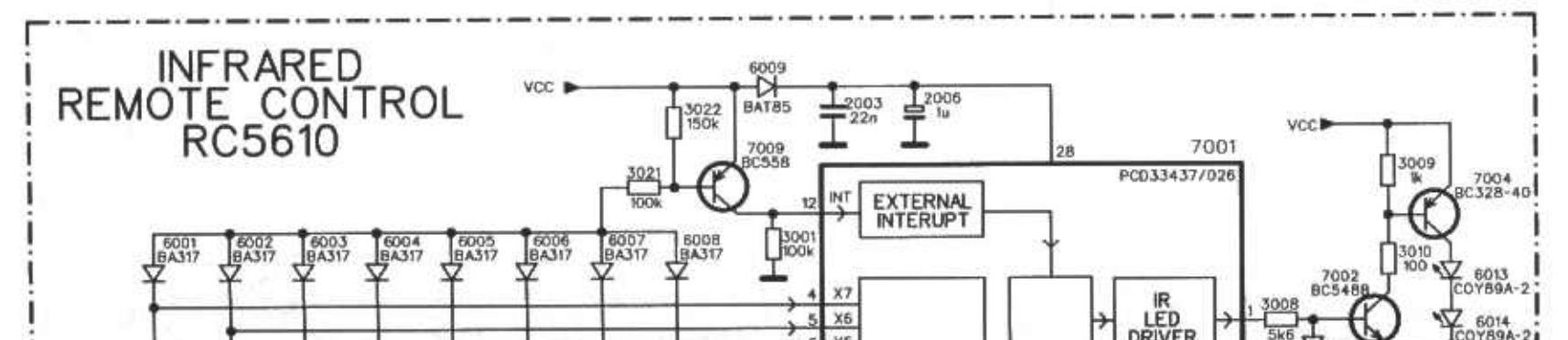
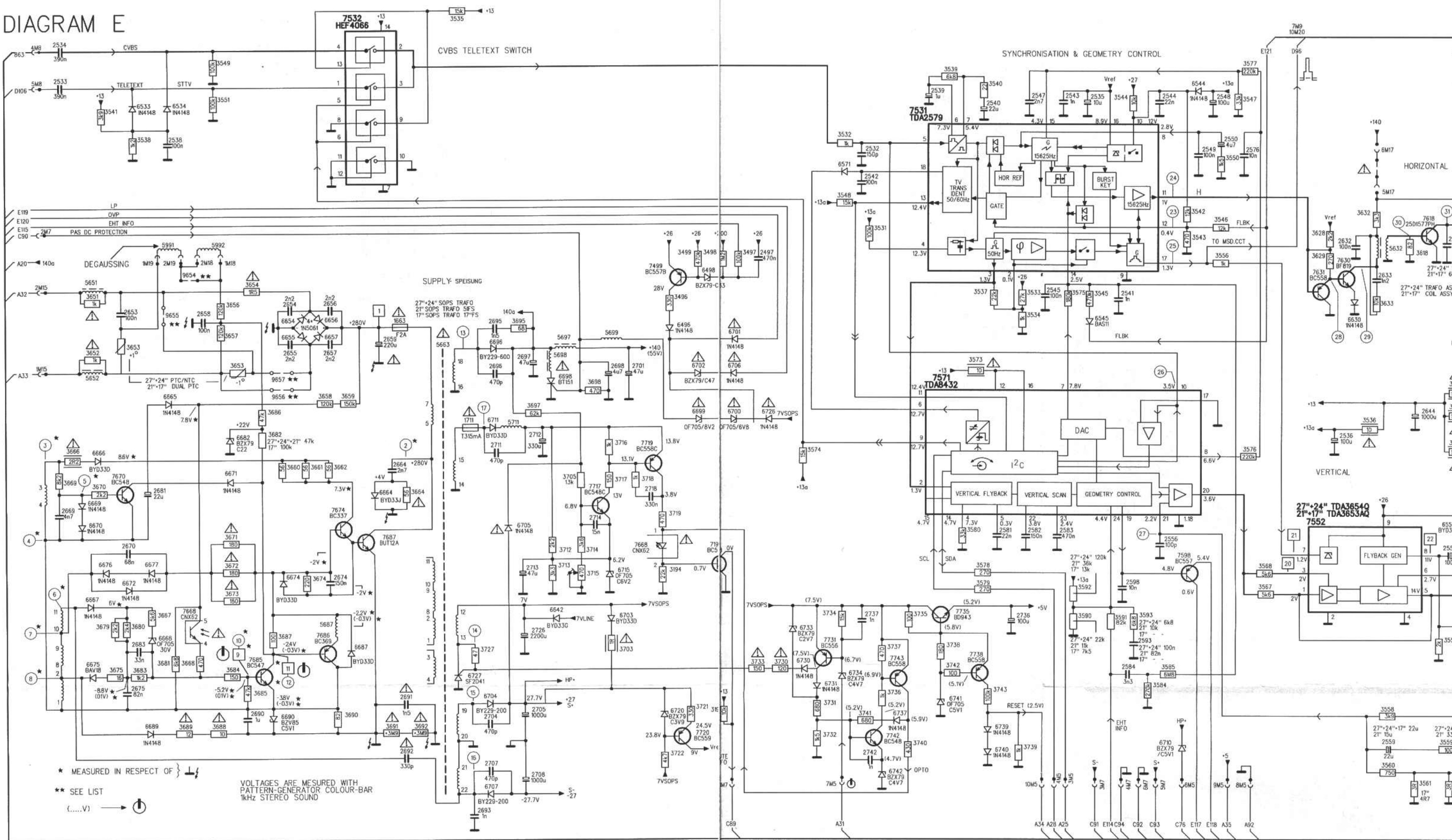


1002 P.T.P. PICTURE TUBE PANEL



★ ONLY PAL 1

DIAGRAM E



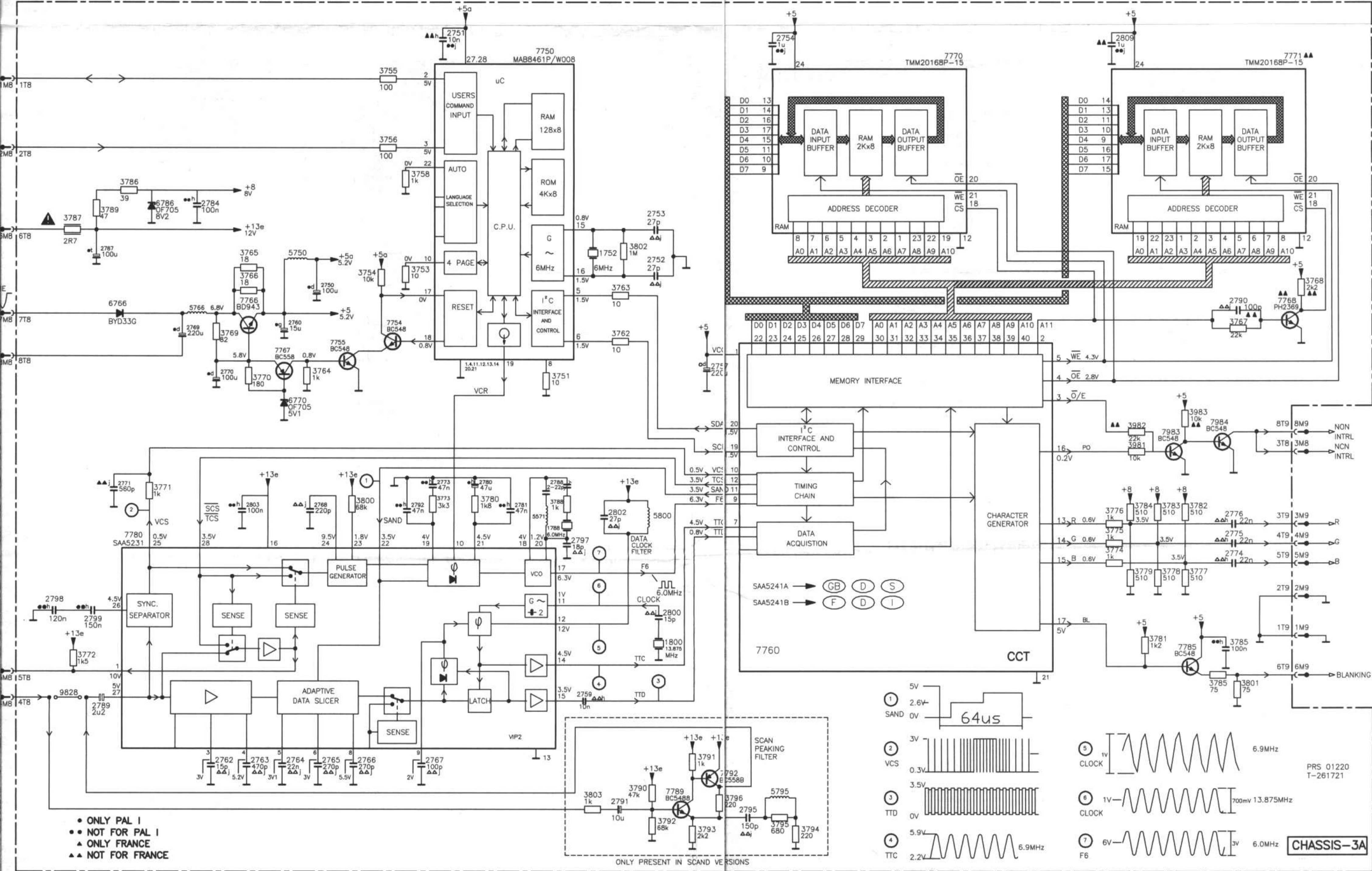
* MEASURED IN RESPECT OF

** SEE LIST

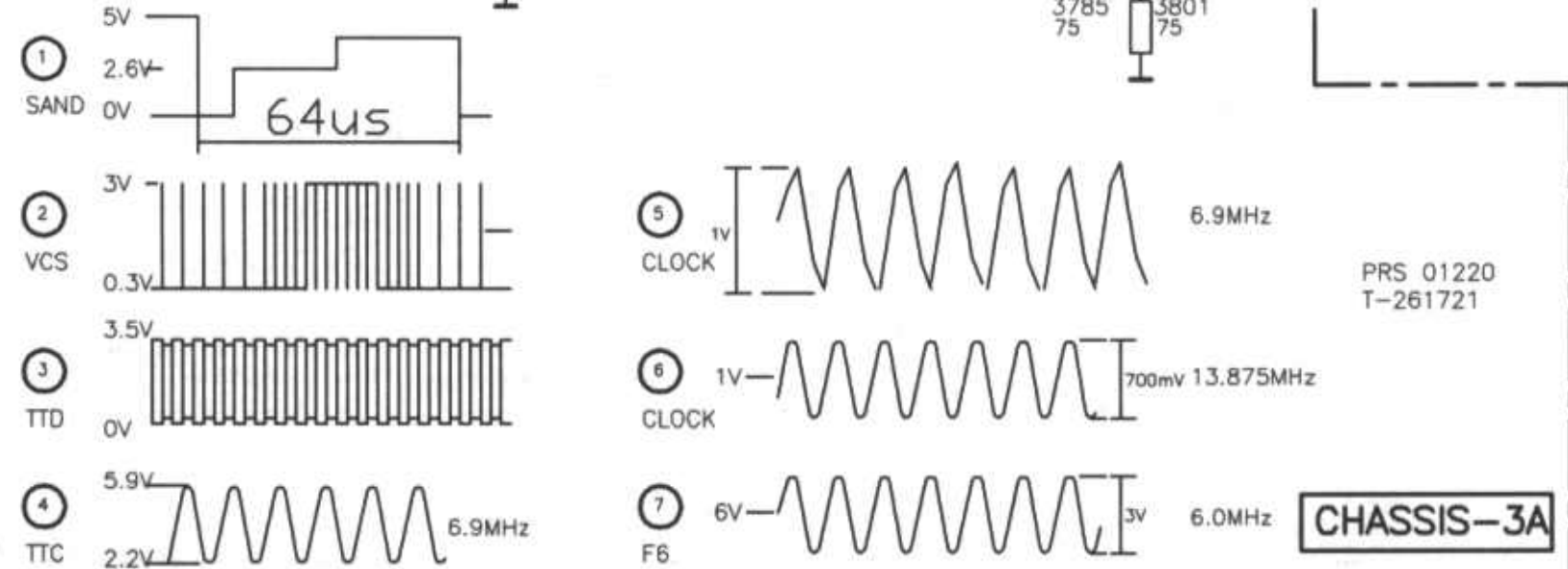
(.....V) →

VOLTAGES ARE MEASURED WITH PATTERN-GENERATOR COLOUR-BAR 1kHz STEREO SOUND

TXT-DECODER VIDEOTEXT-DECODER



- ONLY PAL I
- NOT FOR PAL II
- ▲ ONLY FRANCE
- ▲▲ NOT FOR FRANCE



OTVC Philips chassis 3A
strona 3/4

PRS 01220
T-261721
CHASSIS-3A